

SPIX 3

There is no other choice if you decide to go all out: The SPIX 3 defies all that nature can throw at you. This tunnel tent has been designed, tested and has proven itself more than reliable for expeditions in extreme conditions.



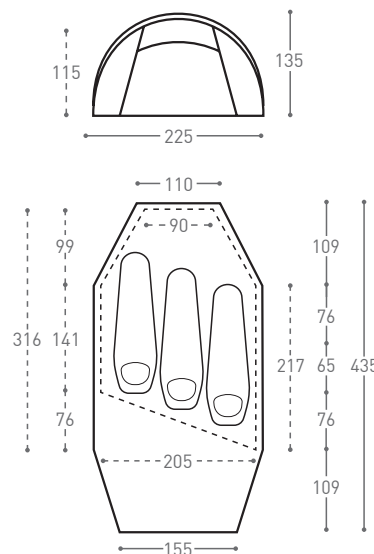
BACH
EQUIPMENT

SPIX 3

There is no other choice if you decide to go all out: The SPIX 3 defies all that nature can throw at you. This tunnel tent has been designed, tested and has proven itself more than reliable for expeditions in extreme conditions.

4 POLES
extremely strong, light and spacious 4-pole tunnel tent

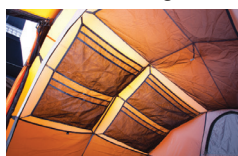
DOUBLE POLING
possibility to use two sets of poles for even more stability



SPACIOUS INNER TENT
for storing equipment



MESH-POCKET-SET
optional mesh pocket set for even more organisation



TWO-LAYER SIDE DOOR
superlight 20D Mono Fila Mesh

CLOSABLE VENTILATION
completely closable vents

LARGE VESTIBULE
accessible via side and front entrance

MATERIALS

fly: GorLyn 40D Ultra Light
siliconized Ripstop 6.6 Nylon 3 000mm
inner tent: breathable 40D Nylon Ripstop
mesh: 15D Nylon No-see-um Mesh
20D Mono Fila atmungsaktives Mesh
floor: 40D Nylon Ripstop 10 000mm,
TPU laminated
poles: 13.5mm TRX Eco Duralumin Superlite,
environmentally friendly anodisation

FACTS

weight: 5800g
pack weight: 6000g
pack size: 55x19x19cm
category: A, Level 3
colour: Russet-Orange
includes:
- 6 snow pegs
- 10 ultralight V-pegs
- 10 ultralight Y-pegs
- 1 repair pole segment
specials:
- 4-pole expedition-tunnel-tent
- suspended inner tent
- completely closable vents
- pitching time: 7 min
- optional: Mesh-Pocket-Set
- optional: footprint

