

FAMILY ADVENTURE

WICKIUP 5

The WICKIUP 5 is a special tipi tent because its pole is not in the middle of the sleeping cabin. Thanks to its asymmetrical design, it offers plenty of sleeping space for a family of 2 adults and 3 children and a spacious vestibule.



BACH
EQUIPMENT

WICKIUP 5

The WICKIUP 5 is a special tipi tent because its pole is not in the middle of the sleeping cabin. Thanks to its asymmetrical design, it offers plenty of sleeping space for a family of 2 adults and 3 children and a spacious vestibule.

FLY

VENTILATION

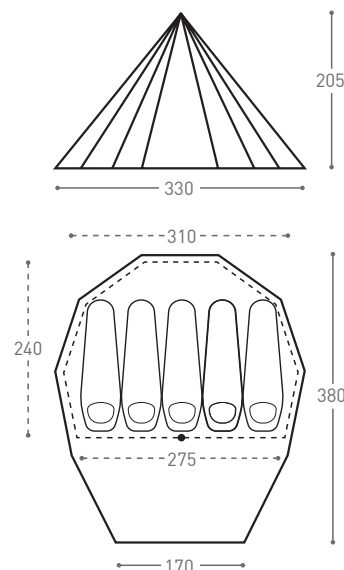
2 high, weather-protected ventilation windows for optimum air circulation

SAVE WEIGHT

set up only the outer tent to save even more weight

SPACIOUS VESTIBULE

for clean & dry access into the tent



INNER TENT

SUMMER NIGHTS

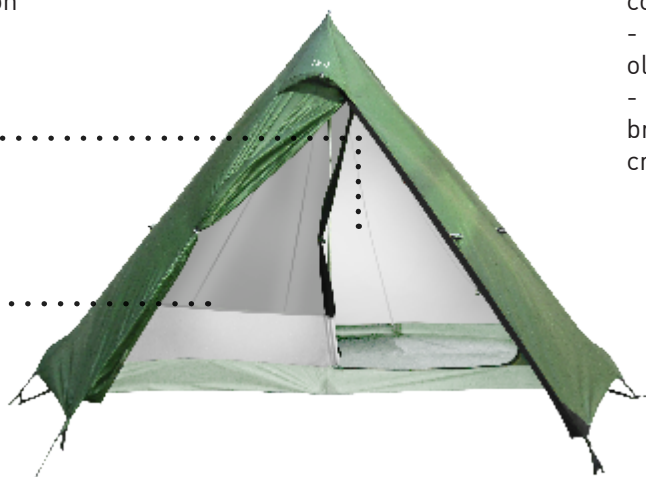
only set up the inner tent alone on hot, dry summer nights

SPACIOUS SLEEPING AREA

offers space for 2 adults and 3 children

MESH DOOR

No-see-um mesh door for optimum ventilation and superb protection against insects



TIPi CONSTRUCTION

comes with many advantages:

- Pure nostalgia in the probably oldest tent form
- Plenty of space and air to breathe, no feeling of being cramped in

MATERIALS

fly: GorLyn 30D Ultra Light
siliconized Ripstop 6.6 Nylon 3 000mm

inner tent: breathable 15D Nylon Ripstop

mesh: 15D Nylon No-see-um Mesh

floor: 40D Nylon Ripstop 10 000mm
TPU laminated

poles: TRX Eco Duralumin, 19.5mm
adjustable: 191 - 221cm
environmentally friendly anodisation
max. pole segment length: 51cm



FACTS

min. weight: 2450g* 3700g**

pack weight: 2550g 3800g

pack size: xxcm* xxcm

category: A, Level 2

colour: Willow-Bough-Green

includes: - 22 ultralight V-pegs

specials:

- inner tent and fly can be pitched separately to reduce weight
- pitching time: 12 min
- optional: half-size inner tent
- optional: footprint

* only fly + pole

** fly, inner tent (full size) + pole