



USER MANUAL FOR PETROMAX ROCKET STOVE

Thank you for purchasing the Petromax Rocket Stove rf33! With your new rocket stove you can cook outdoors while saving energy with an efficient combustion using little fuel. We are convinced that you will be delighted with the great features your Petromax Rocket Stove rf33 has to offer, and we hope that your outdoor cooking will become more varied thanks to the qualities of the rf33.

IMPORTANT NOTES

Please read this manual carefully before using your product for the first time. Follow the safety instructions. If the Petromax Rocket Stove is given to another person, this user manual must also be given to that person.

PRODUCT DESCRIPTION

The Petromax Rocket Stove rf33 effectively combines stack effect and wood boiler principle, thus achieving an extremely efficient combustion of biomass thanks to an optimal air supply. The L-shaped design of the fuel support, combustion chamber and chimney vent is crucial. You can use the escaping heat to cook on the cast-iron top of the rocket stove.

SAFETY INSTRUCTIONS



Only use the rocket stove outdoors. Never use indoors – **Fire hazard and danger of suffocation.**

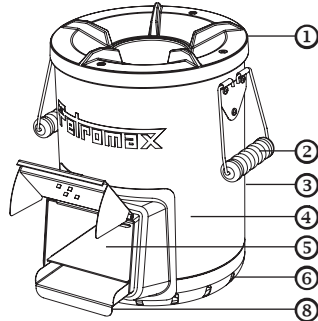
- Comply with fire safety regulations. Show consideration to the plant and animal life and to nature reserves when using the stove.
- **Caution!** The rocket stove can become very hot. Flames can escape from the upper opening. Thus children and animals should never be allowed near the stove.
- Do not leave the rocket stove unattended while a fire burns inside.
- Keep a safety distance to flammable and heat-sensitive objects.
- Place the rocket stove on a level, not heat-sensitive surface and make sure that it is

steady. When putting cookware on the Rocket Stove rf33, avoid rickety structures.

- Never cover the rocket stove. **Fire hazard!**
- Never use liquid firelighters or fluids such as kerosene, turpentine or methylated spirit to start or restart the fire. Such substances can explode and are partly toxic and harmful to the environment.
- We recommend solid firelighters such as Petromax Zunder. If you use Petromax Zunder or other commercially available grill- or firelighters, please follow the instructions on the packaging of the product you have purchased.
- Touch only the handles of the Rocket Stove rf33 and protect your hands with heat-resistant gloves.
- Do not move the stove when a fire is burning inside it.
- Wear appropriate clothes when using the rocket stove. Avoid wearing long, loose sleeves for they catch fire easily.
- Be careful when you add more fuel, and make sure you have a bucket of sand or a powder fire extinguisher nearby.
- Do not pour any cold liquids (e.g. water) onto the cast-iron top of the rocket stove, for the cast iron can crack or be otherwise damaged.
- Let the rocket stove completely cool down after use.
- Remove the ashes from the combustion chamber if needed. Wait until the ashes are cold before removing them, and then dispose of them properly. Never throw hot ashes in the household waste!
- The warranty does not cover improper use or misuse of the rocket stove. Opening or dismantling the rf33 invalidates the warranty.

SCOPE OF DELIVERY

- ① Cast-iron top
- ② Wooden handles
- ③ Insulated stove body
- ④ Combustion chamber with chimney (inside)
- ⑤ Feeding door
- ⑥ Air supply
- ⑦ Fuel support (not illustrated)
- ⑧ Ash box



BEFORE THE FIRST USE

The handles must be assembled before the first use. For delivery they are stored in the chimney of the stove. Each handle must be attached with three screws. You need a screwdriver for that purpose.

USING THE RF33

- Place the rf33 on an even, steady surface. Make sure that the openings on the lower part of the rocket stove are not covered, in order to ensure an optimal air supply.
- When placing the fuel support in front of the feeding door, make sure the feeding door can be opened and closed trouble-free.
- Optimal fuel for your Petromax rf33 are branches and twigs as thick as fingers, brushwood, straw, bark, etc. If you wish to use a firelighter, place it first in the combustion chamber. We recommend only solid firelighters, such as Petromax Zunder.
- To fuel the rocket stove, open the feeding door of the combustion chamber and push fuel through the opening. You can have more firewood ready on the fuel support.
- Open the feeding door only to put more fuel. Keep it closed otherwise to ensure an optimal stack effect.
- Put more fuel when needed, thus regulating the heat of the fire in the rocket stove. Putting more firewood is particularly easy thanks to the Petromax Lid Lifter for Dutch Ovens, if you use it as a poker.
- Place suitable cookware such as pots and pans (bottom diameter at least 4.72 in / 12 cm) on the cast-iron top. If you wish to use a Petromax Dutch Oven on the rf33, we recommend the model without feet, other-

wise the distance between the Dutch Oven and the rocket stove is too big and allows the heat to escape unused.

INSTRUCTIONS FOR CARE AND STORAGE

- Once you have finished cooking, let the fire in the rf33 burn out. Never pour water to extinguish the fire in the rocket stove.
- Once the rocket stove has cooled down, pull the ash box out of the combustion chamber and dispose of the ashes.
- Let the rocket stove completely cool down before storing it, and keep it in a dry place.
- You can grease the cast-iron top with the Petromax Care Conditioner.

WARRANTY

In the case of proper use, a warranty period of two years will apply to your Petromax Rocket Stove rf33 from the date of purchase. If you cannot properly use your Petromax Rocket Stove due to a defect in material or manufacturing, you are entitled to a warranty repair. Contact your dealer for that purpose.

SERVICE

If you have questions or problems, please let us know. You can contact our technical support team via e-mail at: service@petromax.com